

一、概述

QBY系列气动隔膜泵是目前国内较新颖的一种泵类，它以压缩空气为动力驱动隔膜泵工作。广泛应用于各种腐蚀性液体、带颗粒、高粘度、易挥发、易燃、易爆、剧毒的液体及陶瓷釉浆、果浆、胶水等介质的抽送及油轮船底油的回收。泵体过流部件材质采用不锈钢、铝合金或铸铁制造，隔膜材料根据不同介质分别采用丁腈橡胶、氟橡胶、氯丁橡胶及聚四氟乙烯制造。

二、特点

QBY系列气动隔膜泵具有下列特点：

- 1、能抽送各种腐蚀性介质及易燃易爆介质，安全可靠。
- 2、能抽送带颗粒的液体介质，直径10毫米以下的颗粒、泥浆均可以顺利通过。
- 3、自吸能力强，真空度可达7米水柱。
- 4、由于隔膜将被输送介质和传动机械件分开，所以介质绝对不会向外泄漏。且泵本身无轴封，使用寿命大大延长。
- 5、使用方便，只需开关气阀即可操纵泵的工作。
- 6、工作可靠，泵在工作过程中超负荷能自动停机；在无介质状态下运行不会造成泵的损坏。
- 7、可输送粘度在10000厘泊以下的高粘度介质。

三、应用：

- | | |
|-----------------|----------------------|
| 1、各种剧毒、易燃、易挥发液体 | 2、各种强酸、强碱、强腐蚀液体。 |
| 3、油罐车、油库、油品装卸。 | 4、泡菜果酱、土豆泥、巧克力等。 |
| 5、油漆、橡胶、颜料、粘合剂。 | 6、各种瓷器釉浆、水泥灌浆、灰浆、泥浆。 |
| 7、各种乳胶、有机溶剂、填料。 | 8、油轮清舱吸取舱内污水及剩油。 |
| 9、啤酒花及发酵粉糖浆、糖蜜。 | 10、各种特殊介质的吸送。 |

一、General

QBY series Electric Diaphragm Pump is a kind of comparatively innovative pump in present domestic market, which is widely applied for pumping corrosive, volatilizable, high viscous, combustible, flammable and poisonous liquids, as well as ceramic slurry, fruit pulp, glue, liquid with solids and retrieval of bilge oil of oil carrier. The wetted parts of the pump are with material of stainless steel, aluminum or cast iron and the diaphragm materials can be of butadiene-acrylonitrile rubber, fluoro rubber, neoprene or polytetrafluoroethylene.

二、Features

1. Can transfer a variety of corrosive, combustible and flammable fluids safely and durably.
2. Can transfer liquid containing solids with diameter below 10mm as well as slurry.
3. As the media liquid is separated from deriving components by diaphragm, the liquid will not be leaked. And the pump has a longer life as a result of shaft seal not mounted.
4. With driving structure of planetary cycloid, the pump is smaller and lighter.

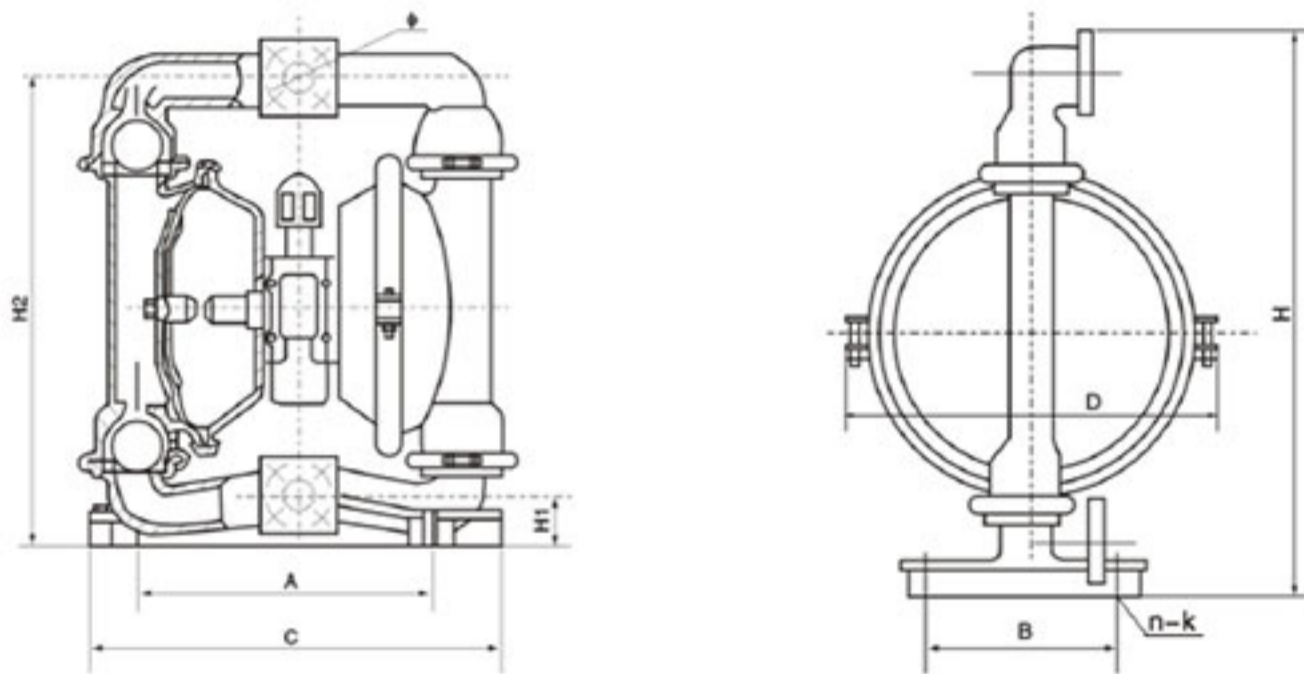
三、Application

1. Poisonous, combustible and volatilizable liquids.
2. Strong acid, strong alkali liquids with corrosion.
3. Tanker truck, bulk plant, load and unload of oil products
4. Pickle, fruit pulp, mashed potatoes, chocolates, etc.
5. Paint, rubber, pigment and adhesives.
6. Various ceramic pulp, grouting, mortar and slurry.
7. Various latex, organic solvents, stuffing
8. Stripping of oil carrier(pumping dirty water and residual oil)
9. Common hop, thin paste of yeast power, syrup and molasses.
10. Special liquids.



四、主要性能规格 Main performance specification

型号 Model	流量 (m ³ /h) Flux	出口压力 (Mpa) Outlet pressure	真空度 (m · HzO) Vacuum degree	最大允许通过 颗粒直径 (mm) The biggest permission passes the pellet diameter	最大供气压力 (Mpa) Biggest air feed pressure	空压机容量 (m ³ /min) Atmospheric engine capacity
QBY-10	0.8	0.6	5	1	0.7	0.3
QBY-15	1	0.6	5	1	0.7	0.3
QBY-25	2.4	0.6	7	2.5	0.7	0.6
QBY-40	8	0.6	7	4.5	0.7	0.6
QBY-50	12	0.6	7	8	0.7	0.9
QBY-65	16	0.6	7	8	0.7	0.9
QBY-80	24	0.6	7	10	0.7	1.5
QBY-100	30	0.6	7	10	0.7	1.5

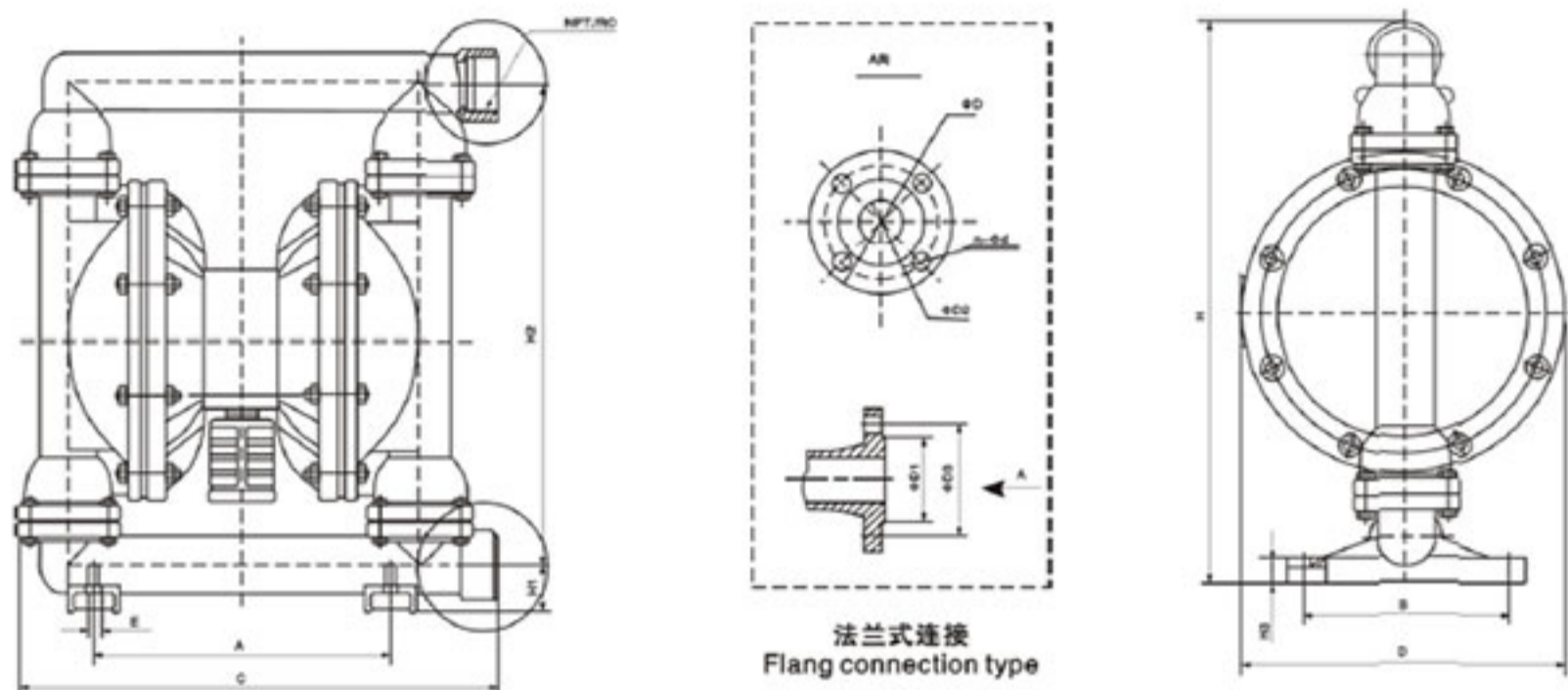
五、安装尺寸图 Installs the dimensional drawing

六、安装尺寸 Installs the size

型号 Model	A	B	C	D	H	H1	H2	φ	n-k	泵进出口尺寸 Pump import and export size	泵进出口尺寸 Pump import and export size	进气口 外径 Air inlet outer diameter	重量 Weight kg
QBY-10	140		180	150	225	18	200		4-φ10	G3/8"	G3/8"	8	7
QBY-15	140		180	150	225	18	200		4-φ10	G1/2"	G1/2"	8	7
QBY-25	220	170	365	200	480	45	460		4-φ12	G1"	G1"	10	20
QBY-40	220	170	365	250	480	45	460		4-φ12	G1 ¹ / ₂ "	G1 ¹ / ₄ "	10	24
QBY-50	340	230	570	340	740	80	700	110	4-φ15	50mm (法兰)	50mm (法兰)	14	50
QBY-65	340	230	570	340	740	80	700	110	4-φ15	65mm (法兰)	65mm (法兰)	14	56
QBY-80	360	240	600	450	900	105	860	175	4-φ18	80mm (法兰)	80mm (法兰)	16	70
QBY-100	360	240	600	450	930	105	860	175	4-φ18	100mm (法兰)	100mm (法兰)	16	78

注：重量以铝合金为标准，铸铁不锈钢约是铝合金1.7倍

Note: The weight take the aluminum alloy as a standard, cast irons the stainless steel is approximately aluminum alloy 1.7 times

七、安装尺寸图 Installs the dimensional drawing



八、安装尺寸 Installs the size

型号 Model	A	B	C	D	E	H1	H2	H3	H	螺纹式 Screw	法兰式 Flange					
										NPT/RC	D1	D2	D3	D	n	d
QBY-10	135	48	218	144	12	34	176	10	226	1/2	-	-	-	-	-	-
QBY-15	135	48	218	144	12	34	176	10	226	1/2	-	-	-	-	-	-
QBY-25	236	145	381	248	12	46	344	18	412	1	-	-	-	-	-	-
QBY-40	236	145	381	248	12	50	348	18	428	1 1/2	-	-	-	-	-	-
QBY-50	320	220	518	347	14	50	521	27	609	2	84	50	125	165	4	18
QBY-65	320	220	518	347	14	50	521	27	609	2 1/2	104	65	145	185	4	18
QBY-80	360	240	634	455	18	96	696	50	842	3	118	80	160	200	8	18
QBY-100	360	240	634	455	18	130	721	60	960	-	140	100	180	200	8	18