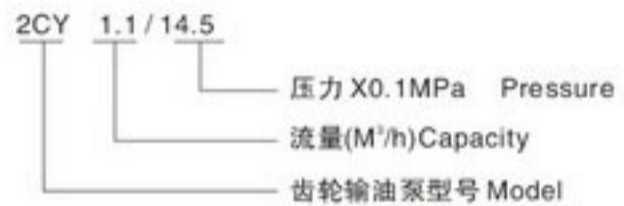
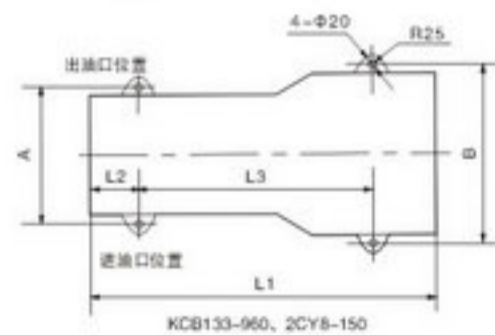
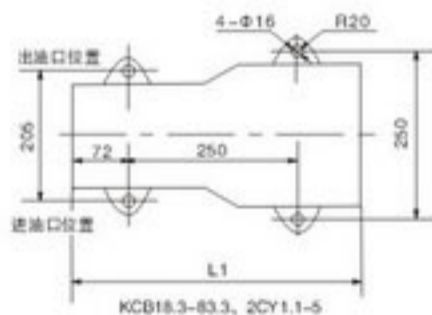
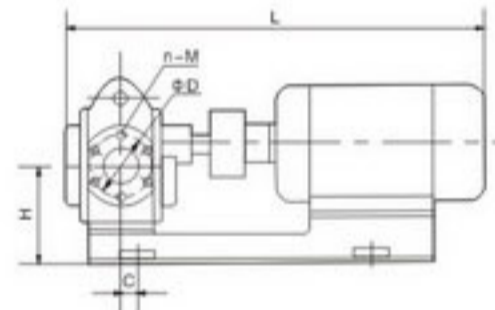
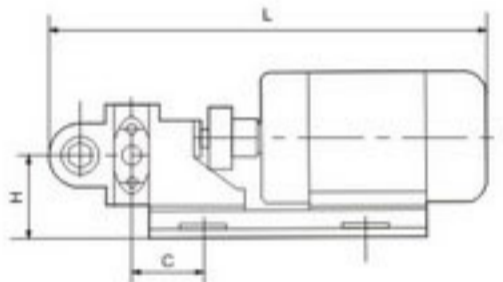


型号说明 Model code



安装尺寸图 Mounting dimension drawing



用途与特征 Application and features

本泵适用于输送粘度在300C.s.t以下的各种油类，如原油、柴油、润滑油、动植物油等。配用铜齿轮可输送低闪点液体，如汽油、苯等。介质温度不超过70℃，耐高温油泵的使用温度不超过300℃。泵本身带有安全阀，超载时起安全保护作用。轴封有骨架油封、机械密封、填料密封三种型式，订货注明。

This pump is suitable to carry various oils, such as the thick oil, diesel fuel and lubricator, animal and vegetable oil etc. also it's available to transport the fluidities with low flashing point by equipped with copper gear, such as gasoline and benzene, etc. Take care that the media temperature shouldn't surpass 70℃ and the available temperature of oilpump against hitemper-ature shouldn't more than 300℃.The pump has safety valve itself when the pump works under the high pressure. Shaft seal has skeleton oil seal. Mechanical seal and stuffing seal. Please it should be indicuted when placing order.

安装尺寸 Mounting dimension

型号 Model	流量 m ³ /h Capacity	压力 MPa Pressure	真空度 m.H ₂ O Vacuum	进出口 口径 mm Diameter	H	L	L1	L2	L3	A	B	C	D	n-m	进出口 距离 K Distance	配用 电机型号 Motor	功率 KW Power
KCB18.3 2CY1.1/14.5	1.1	1.45	5	G $\frac{3}{4}$ "	109	583	405	72	250	205	250	79	-	-	200	Y90L-4	1.5
KCB33.3 2CY2/14.5	2	1.45	5	G $\frac{3}{4}$ "	119	618	437	72	250	205	250	79	-	-	200	Y100L1-4	2.2
KCB55 2CY3.3/3.3	3.3	0.33	5	G1"	109	588	405	72	250	205	250	86	-	-	200	Y90L-4	1.5
KCB83.3 2CY5/3.3	5	0.33	5	G1 $\frac{1}{2}$ "	119	658	437	72	250	205	250	99	-	-	200	Y100L1-4	2.2
KCB133 2CY8/3.3	8	0.33	5	G2"	182	778	688	130	450	250	340	32	-	-	260	Y132S-6	3
2CY8/6	8	0.6	5	G2"	182	818	688	130	450	250	340	32	-	-	260	Y132M1-6	4
2CY8/10	8	1.0	5	G2"	182	818	688	130	450	250	340	32	-	-	260	Y132M2-6	5.5
2CY12/1.3	12	0.13	5	G2"	172	703	567	130	370	250	305	32	-	-	260	Y112M-4	4
KCB200 2CY12/3.3	12	0.33	5	G2"	182	778	688	130	450	250	340	32	-	-	260	Y132S-4	5.5
2CY12/6	12	0.6	5	G2"	182	778	688	130	450	250	340	32	-	-	260	Y132S-4	5.5
2CY12/10	12	1.0	5	G2"	182	818	688	130	450	250	340	32	-	-	260	Y132M-4	7.5
KCB300 2CY18/3.6	18	0.36	5	70	230	898	723	120	480	280	340	45	123	6-M14	234	Y132M2-6	5.5
2CY18/6	18	0.6	5	70	230	983	810	105	600	280	380	30	123	6-M14	234	Y160M-6	7.5
KCB483 2CY29/3.6	29	0.36	5	70	230	898	723	120	480	280	340	45	123	6-M14	234	Y132M-4	7.5
2CY29/6	29	0.6	5	70	230	983	816	105	600	280	380	30	123	6-M14	234	Y160M-4	11
KCB633 2CY38/2.8	38	0.28	5	100	285	1094	912	155	600	280	380	60	158	8-M16	280	Y160L-6	11
2CY38/6	38	0.6	5	100	285	1224	963	155	650	280	450	60	158	8-M16	280	Y200L2-6	22
KCB960 2CY60/3	60	0.3	5	100	285	1159	955	155	650	280	410	60	158	8-M16	280	Y180L-4	22
2CY100/3	100	0.3	5	150	440	1586	1325	110	550×2	450	450	-20	210	8-M16	400	Y250M-8	30
2CY100/6	100	0.6	5	150	465	1856	1536	138	420×3	600	600	8	210	8-M16	400	Y315S-8	55
2CY120/3	120	0.3	5	150	440	1586	1325	110	550×2	450	450	-20	210	8-M16	400	Y250M-8	30
2CY120/6	120	0.6	5	150	465	1856	1536	138	420×3	600	600	8	210	8-M16	400	Y315S-8	55
2CY150/3	150	0.3	5	150	460	1696	1376	138	550×2	500	500	8	210	8-M16	400	Y280S-8	37
2CY150/6	150	0.6	5	150	465	1946	1536	138	420×3	600	600	8	210	8-M16	400	Y315M1-8	75

注：1、表中参数为50℃,30C.S.t粘度条件下的数值。

2、KCB18.3-200、2CY1.1-12配带管螺纹口的腰形法兰；KCB300-960、2CY18-150不配带法兰，需用户自行加工。

Note: 1. The value in the table is under 50℃, 30C. S. t.

2. KCB18.3-200、2CY1.1-12 have with waist flange; KCB300-960、2CY18-150 havn't with flange, so user need do it.